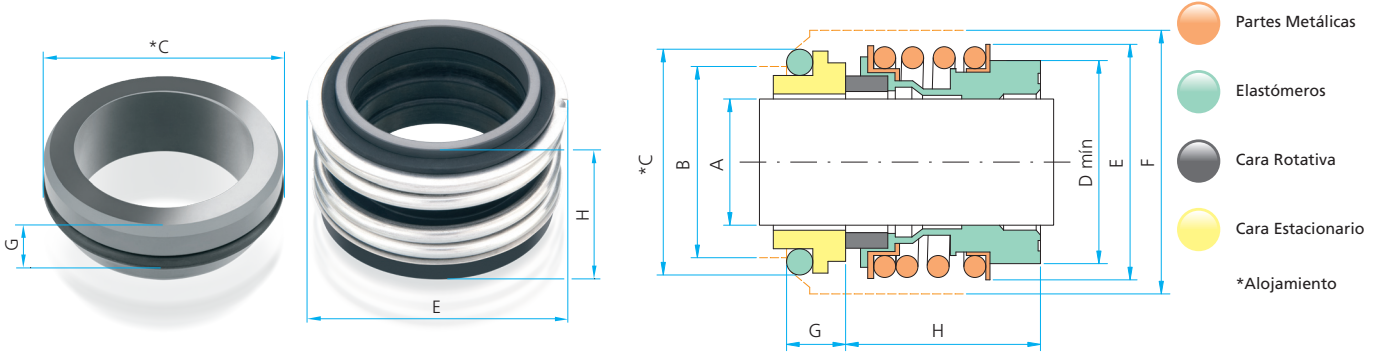


TIPO IMG12

ASIENTO G04

10 m/s

12 bars



Ítem	CODIFICACIÓN DEL SELLO										Ø A (mm) ± 0,05	Ø B (mm) ± 0,1	Ø C (mm) ± 0,05	Ø D (mm)	Ø E (mm)	Ø F (mm)	G (mm)	H (mm)	
	Tipo & Eje	Conjunto Rotativo	Elementos Empaque			Cara Rotativa	Partes Metálicas		Asiento Estacionario										Conjunto Estacionario
			B Nitrilica	E E.P.D.M.	V Viton®		S Carburo de Silicio	T Carburo de Tungsténio	U Carbón	4 Acero Inoxidable 304									
1	IMG12008	S								G04	-	-	-	-	-	-	-		
2	IMG12010	S								G04	10	15,5	19,2	20,5	22,5	24,0	6,6	25,9	
3	IMG12012	S								G04	12	17,5	21,6	22,5	25,0	26,0	5,6	25,9	
4	IMG12014	S								G04	14	20,5	24,6	26,5	28,5	30,0	5,6	28,4	
5	IMG12015	S								G04	15	20,5	24,6	26,5	28,5	30,0	6,6	28,4	
6	IMG12016	S								G04	16	22,0	28,0	26,5	28,5	30,0	7,5	28,4	
7	IMG12018	S								G04	18	24,0	30,0	29,0	32,0	33,0	8,0	30,0	
8	IMG12019	S								G04	-	-	-	-	-	-	-	-	
9	IMG12020	S								G04	20	29,5	35,0	33,0	37,0	38,0	7,5	30,0	
10	IMG12022	S								G04	22	29,5	35,0	33,0	37,0	38,0	7,5	30,0	
11	IMG12024	S								G04	24	32,0	38,0	38,0	42,5	44,0	7,5	32,5	
12	IMG12025	S								G04	25	32,0	38,0	38,0	42,5	44,0	7,5	32,5	
13	IMG12028	S								G04	28	36,0	42,0	44,0	49,0	50,0	9,0	35,0	
14	IMG12030	S								G04	30	39,2	45,0	44,0	49,0	50,0	10,5	35,0	
15	IMG12032	S								G04	32	42,2	48,0	46,0	53,5	55,0	10,5	35,0	
16	IMG12033	S								G04	33	44,2	50,0	46,0	53,5	55,0	11,0	35,0	
17	IMG12035	S								G04	35	46,2	52,0	50,0	57,0	59,0	11,0	35,0	
18	IMG12038	S								G04	38	49,2	55,0	53,0	59,0	61,0	10,3	36,0	
19	IMG12040	S								G04	40	52,2	58,0	55,0	62,0	64,0	10,8	36,0	
20	IMG12042	S								G04	-	-	-	-	-	-	-	-	

TIPO IMG12

ASIENTO G04

Ítem	CODIFICACIÓN DEL SELLO										Ø A (mm) ± 0,05	Ø B (mm) ± 0,1	Ø C (mm) ± 0,05	Ø D (mm)	Ø E (mm)	Ø F (mm)	G (mm)	H (mm)		
	Tipo & Eje	Conjunto Rotativo	Elementos Empaque			Cara Rotativa		Partes Metálicas		Asiento Estacionario									Conjunto Estacionario	
			B Nitrílica	E E.P.D.M.	V Viton®	S Carburo de Silicio	T Carburo de Tungsténio	U Carbón	4 Acero Inoxidable 304	6 Acero Inoxidable 316										R Cerámica (Al ₂ O ₃)
21	IMG12043	S									G04	43	53,3	62,0	58,0	65,5	67,0	12,0	36,0	
22	IMG12045	S									G04	45	55,3	64,0	60,0	68,0	70,0	11,6	36,0	
23	IMG12048	S									G04	48	59,7	68,4	63,0	70,5	74,0	11,6	36,0	
24	IMG12050	S									G04	50	60,8	69,3	65,0	74,0	77,0	11,6	38,0	
25	IMG12053	S									G04	53	63,8	72,3	70,0	78,5	81,0	12,3	36,5	
26	IMG12055	S									G04	55	66,5	75,4	72,0	81,0	83,0	13,3	36,5	
27	IMG12058	S									G04	58	69,5	78,4	75,0	85,5	88,0	13,3	41,5	
28	IMG12060	S									G04	60	71,5	80,4	79,0	88,5	91,0	13,3	41,5	
29	IMG12065	S									G04	65	76,5	85,4	84,0	93,5	96,0	13,0	41,5	
30	IMG12068	S									G04	68	82,7	91,5	88,0	96,5	100,0	13,7	41,2	
31	IMG12070	S									G04	70	83,0	92,0	90,0	99,5	103,0	13,0	48,7	
32	IMG12075	S									G04	75	90,2	99,0	95,0	107,0	110,0	14,0	48,7	
33	IMG12080	S									G04	80	95,2	104,0	100,0	112,0	116,0	15,0	48,0	
34	IMG12085	S									G04	85	100,2	109,0	107,0	120,0	124,0	14,8	46,0	
35	IMG12090	S									G04	90	105,2	114,0	114,0	127,0	131,0	14,8	51,0	
36	IMG12095	S									G04	95	111,6	120,3	119,0	132,0	136,0	15,8	51,0	
37	IMG12100	S									G04	100	114,5	123,3	124,0	137,0	140,0	15,8	51,0	