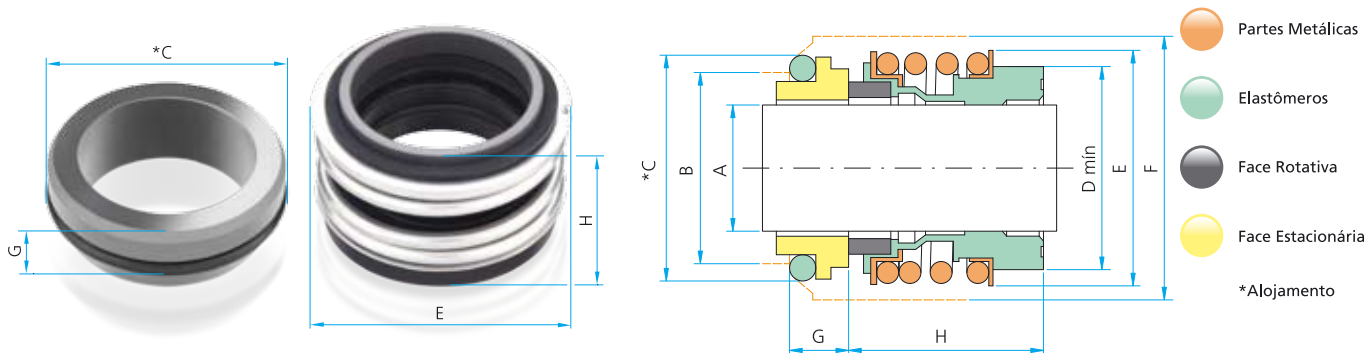


TIPO IMG12

SEDE G04

10 m/s

12 bar



| Item | CODIFICAÇÃO DO SELO | | | | | | | | | | Ø A (mm) ± 0,05 | Ø B (mm) ± 0,1 | Ø C (mm) ± 0,05 | Ø D (mm) | Ø E (mm) | Ø F (mm) | G (mm) | H (mm) | |
|------|---------------------|-------------------|----------------------|---------------|-------------|---------------|-------------------------|----------------------------|-------------------|-------------------|-----------------|----------------|-----------------|----------|----------|----------|--------|--------|-----------------------|
| | Tipo & Eixo | Conjunto Rotativo | Elementos de Vedação | | | Face Rotativa | Partes Metálicas | | Sede Estacionária | | | | | | | | | | Conjunto Estacionário |
| | | | B Nitrílica | E E.P.D.M. | V Viton® | | S Carbeto de Silício | T Carbeto de Tungstênio | U Carvão | 4 Aço Inox 304 | | | | | | | | | |
| 1 | IMG12008 | S | | | | | | | | G04 | - | - | - | - | - | - | - | | |
| 2 | IMG12010 | S | | | | | | | | G04 | 10 | 15,5 | 19,2 | 20,5 | 22,5 | 24,0 | 6,6 | 25,9 | |
| 3 | IMG12012 | S | | | | | | | | G04 | 12 | 17,5 | 21,6 | 22,5 | 25,0 | 26,0 | 5,6 | 25,9 | |
| 4 | IMG12014 | S | | | | | | | | G04 | 14 | 20,5 | 24,6 | 26,5 | 28,5 | 30,0 | 5,6 | 28,4 | |
| 5 | IMG12015 | S | | | | | | | | G04 | 15 | 20,5 | 24,6 | 26,5 | 28,5 | 30,0 | 6,6 | 28,4 | |
| 6 | IMG12016 | S | | | | | | | | G04 | 16 | 22,0 | 28,0 | 26,5 | 28,5 | 30,0 | 7,5 | 28,4 | |
| 7 | IMG12018 | S | | | | | | | | G04 | 18 | 24,0 | 30,0 | 29,0 | 32,0 | 33,0 | 8,0 | 30,0 | |
| 8 | IMG12019 | S | | | | | | | | G04 | - | - | - | - | - | - | - | - | |
| 9 | IMG12020 | S | | | | | | | | G04 | 20 | 29,5 | 35,0 | 33,0 | 37,0 | 38,0 | 7,5 | 30,0 | |
| 10 | IMG12022 | S | | | | | | | | G04 | 22 | 29,5 | 35,0 | 33,0 | 37,0 | 38,0 | 7,5 | 30,0 | |
| 11 | IMG12024 | S | | | | | | | | G04 | 24 | 32,0 | 38,0 | 38,0 | 42,5 | 44,0 | 7,5 | 32,5 | |
| 12 | IMG12025 | S | | | | | | | | G04 | 25 | 32,0 | 38,0 | 38,0 | 42,5 | 44,0 | 7,5 | 32,5 | |
| 13 | IMG12028 | S | | | | | | | | G04 | 28 | 36,0 | 42,0 | 44,0 | 49,0 | 50,0 | 9,0 | 35,0 | |
| 14 | IMG12030 | S | | | | | | | | G04 | 30 | 39,2 | 45,0 | 44,0 | 49,0 | 50,0 | 10,5 | 35,0 | |
| 15 | IMG12032 | S | | | | | | | | G04 | 32 | 42,2 | 48,0 | 46,0 | 53,5 | 55,0 | 10,5 | 35,0 | |
| 16 | IMG12033 | S | | | | | | | | G04 | 33 | 44,2 | 50,0 | 46,0 | 53,5 | 55,0 | 11,0 | 35,0 | |
| 17 | IMG12035 | S | | | | | | | | G04 | 35 | 46,2 | 52,0 | 50,0 | 57,0 | 59,0 | 11,0 | 35,0 | |
| 18 | IMG12038 | S | | | | | | | | G04 | 38 | 49,2 | 55,0 | 53,0 | 59,0 | 61,0 | 10,3 | 36,0 | |
| 19 | IMG12040 | S | | | | | | | | G04 | 40 | 52,2 | 58,0 | 55,0 | 62,0 | 64,0 | 10,8 | 36,0 | |
| 20 | IMG12042 | S | | | | | | | | G04 | - | - | - | - | - | - | - | - | |

TIPO IMG12

SEDE G04

| Item | CODIFICAÇÃO DO SELO | | | | | | | Ø A (mm) ± 0,05 | Ø B (mm) ± 0,1 | Ø C (mm) ± 0,05 | Ø D (mm) | Ø E (mm) | Ø F (mm) | G (mm) | H (mm) | | |
|------|---------------------|-------------------|----------------------|------------|----------|---------------|------------------|-----------------|----------------|-----------------|----------|----------|----------|--------|--------|-------------------|-----------------------|
| | Tipo & Eixo | Conjunto Rotativo | Elementos de Vedação | | | Face Rotativa | Partes Metálicas | | | | | | | | | Sede Estacionária | Conjunto Estacionário |
| | | | B Nitrílica | E E.P.D.M. | V Viton® | | | | | | | | | | | | |
| 21 | IMG12043 | S | | | | | | G04 | 43 | 53,3 | 62,0 | 58,0 | 65,5 | 67,0 | 12,0 | 36,0 | |
| 22 | IMG12045 | S | | | | | | G04 | 45 | 55,3 | 64,0 | 60,0 | 68,0 | 70,0 | 11,6 | 36,0 | |
| 23 | IMG12048 | S | | | | | | G04 | 48 | 59,7 | 68,4 | 63,0 | 70,5 | 74,0 | 11,6 | 36,0 | |
| 24 | IMG12050 | S | | | | | | G04 | 50 | 60,8 | 69,3 | 65,0 | 74,0 | 77,0 | 11,6 | 38,0 | |
| 25 | IMG12053 | S | | | | | | G04 | 53 | 63,8 | 72,3 | 70,0 | 78,5 | 81,0 | 12,3 | 36,5 | |
| 26 | IMG12055 | S | | | | | | G04 | 55 | 66,5 | 75,4 | 72,0 | 81,0 | 83,0 | 13,3 | 36,5 | |
| 27 | IMG12058 | S | | | | | | G04 | 58 | 69,5 | 78,4 | 75,0 | 85,5 | 88,0 | 13,3 | 41,5 | |
| 28 | IMG12060 | S | | | | | | G04 | 60 | 71,5 | 80,4 | 79,0 | 88,5 | 91,0 | 13,3 | 41,5 | |
| 29 | IMG12065 | S | | | | | | G04 | 65 | 76,5 | 85,4 | 84,0 | 93,5 | 96,0 | 13,0 | 41,5 | |
| 30 | IMG12068 | S | | | | | | G04 | 68 | 82,7 | 91,5 | 88,0 | 96,5 | 100,0 | 13,7 | 41,2 | |
| 31 | IMG12070 | S | | | | | | G04 | 70 | 83,0 | 92,0 | 90,0 | 99,5 | 103,0 | 13,0 | 48,7 | |
| 32 | IMG12075 | S | | | | | | G04 | 75 | 90,2 | 99,0 | 95,0 | 107,0 | 110,0 | 14,0 | 48,7 | |
| 33 | IMG12080 | S | | | | | | G04 | 80 | 95,2 | 104,0 | 100,0 | 112,0 | 116,0 | 15,0 | 48,0 | |
| 34 | IMG12085 | S | | | | | | G04 | 85 | 100,2 | 109,0 | 107,0 | 120,0 | 124,0 | 14,8 | 46,0 | |
| 35 | IMG12090 | S | | | | | | G04 | 90 | 105,2 | 114,0 | 114,0 | 127,0 | 131,0 | 14,8 | 51,0 | |
| 36 | IMG12095 | S | | | | | | G04 | 95 | 111,6 | 120,3 | 119,0 | 132,0 | 136,0 | 15,8 | 51,0 | |
| 37 | IMG12100 | S | | | | | | G04 | 100 | 114,5 | 123,3 | 124,0 | 137,0 | 140,0 | 15,8 | 51,0 | |