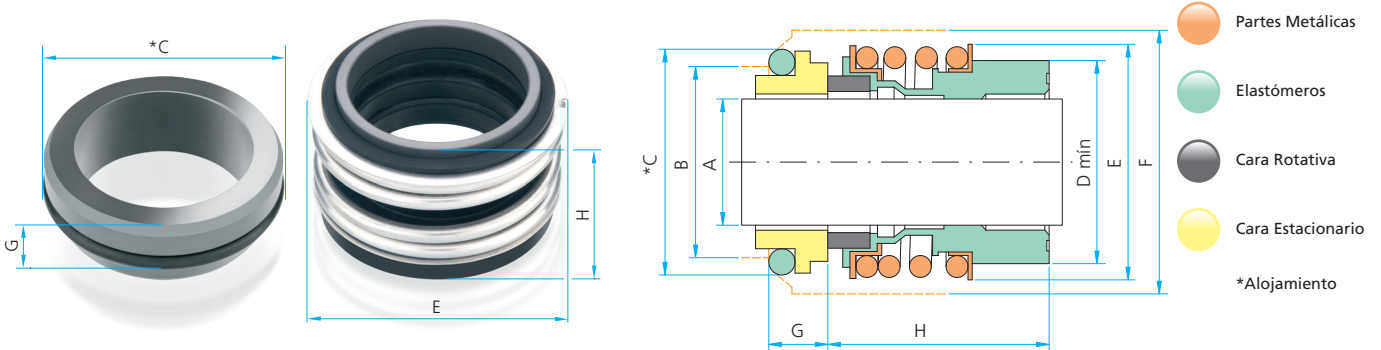


TIPO IMG13

ASIENTO G06

10 m/s

12 bars



Ítem	CODIFICACIÓN DEL SELLO										Ø A (mm) ± 0,05	Ø B (mm) ± 0,1	Ø C (mm) ± 0,05	Ø D (mm)	Ø E (mm)	Ø F (mm)	G (mm)	H (mm)							
	Tipo & Eje	Conjunto Rotativo	Elementos Empaque			Cara Rotativa	Partes Metálicas		Asiento Estacionario										Conjunto Estacionario						
			B Nitrílica	E E.P.D.M.	V Viton®	S Carburo de Silicio	T Carburo de Tungsténio	U Carbón	4 Acero Inoxidable 304	6 Acero Inoxidable 316	R Cerámica (Al ₂ O ₃)	S Carburo de Silicio	T Carburo de Tungsténio												
1	IMG13008	S												G06	-	-	-	-	-	-	-	-	-	-	-
2	IMG13010	S												G06	10	17,0	21,0	20,5	22,5	24,0	6,6	33,4			
3	IMG13012	S												G06	12	19,0	23,0	22,5	25,0	26,0	6,6	33,4			
4	IMG13014	S												G06	14	21,0	25,0	26,5	28,5	30,0	6,6	33,4			
5	IMG13015	S												G06	-	-	-	-	-	-	-	-	-	-	-
6	IMG13016	S												G06	16	23,0	27,0	26,5	28,5	30,0	6,6	33,4			
7	IMG13018	S												G06	18	27,0	33,0	29,0	32,0	33,0	7,5	37,5			
8	IMG13019	S												G06	-	-	-	-	-	-	-	-	-	-	-
9	IMG13020	S												G06	20	29,0	35,0	33,0	37,0	38,0	7,5	37,5			
10	IMG13022	S												G06	22	31,0	37,0	33,0	37,0	38,0	7,5	37,5			
11	IMG13024	S												G06	24	33,0	39,0	38,0	42,5	44,0	7,5	42,5			
12	IMG13025	S												G06	25	34,0	40,0	38,0	42,5	44,0	7,5	42,5			
13	IMG13028	S												G06	28	37,0	43,0	44,0	49,0	50,0	7,5	42,5			
14	IMG13030	S												G06	30	39,0	45,0	44,0	49,0	50,0	7,5	42,5			
15	IMG13032	S												G06	32	42,0	48,0	46,0	53,5	55,0	7,5	47,5			
16	IMG13033	S												G06	-	-	-	-	-	-	-	-	-	-	-
17	IMG13035	S												G06	35	44,0	50,0	50,0	57,0	59,0	7,5	47,5			
18	IMG13038	S												G06	38	49,0	56,0	53,0	59,0	61,0	9,0	46,0			
19	IMG13040	S												G06	40	51,0	58,0	55,0	62,0	64,0	9,0	46,0			
20	IMG13042	S												G06	-	-	-	-	-	-	-	-	-	-	-

TIPO IMG13

ASIENTO G06

Ítem	CODIFICACIÓN DEL SELLO										Ø A (mm) ± 0,05	Ø B (mm) ± 0,1	Ø C (mm) ± 0,05	Ø D (mm)	Ø E (mm)	Ø F (mm)	G (mm)	H (mm)			
	Tipo & Eje	Conjunto Rotativo	Elementos Empaque			Cara Rotativa			Partes Metálicas										Asiento Estacionario		Conjunto Estacionario
			B Nitrílica	E E.P.D.M.	V Viton®	S Carburo de Silicio	T Carburo de Tungsténio	U Carbón	4 Acero Inoxidable 304	6 Acero Inoxidable 316									R Cerámica (Al ₂ O ₃)	S Carburo de Silicio	
21	IMG13043	S										G06	43	54,0	61,0	58,0	65,5	67,0	9,0	51,0	
22	IMG13045	S											G06	45	56,0	63,0	60,0	68,0	70,0	9,0	51,0
23	IMG13048	S											G06	48	59,0	66,0	63,0	70,5	74,0	9,0	51,0
24	IMG13050	S											G06	50	62,0	70,0	65,0	74,0	77,0	9,5	50,5
25	IMG13053	S											G06	53	65,0	73,0	70,0	78,5	81,0	11,0	59,0
26	IMG13055	S											G06	55	67,0	75,0	72,0	81,0	83,0	11,0	59,0
27	IMG13058	S											G06	58	70,0	78,0	75,0	85,5	88,0	11,0	59,0
28	IMG13060	S											G06	60	72,0	80,0	79,0	88,5	91,0	11,0	59,0
29	IMG13065	S											G06	65	77,0	85,0	84,0	93,5	96,0	11,0	69,0
30	IMG13068	S											G06	68	81,0	90,0	88,0	96,5	100,0	11,3	68,7
31	IMG13070	S											G06	70	83,0	92,0	90,0	99,5	103,0	11,3	68,7
32	IMG13075	S											G06	75	88,0	97,0	95,0	107,0	110,0	11,3	68,7
33	IMG13080	S											G06	80	95,0	105,0	100,0	112,0	116,0	12,0	78,0
34	IMG13085	S											G06	85	100,0	110,0	107,0	120,0	124,0	14,0	76,0
35	IMG13090	S											G06	90	105,0	115,0	114,0	127,0	131,0	14,0	76,0
36	IMG13095	S											G06	95	110,0	120,0	119,0	132,0	136,0	14,0	76,0
37	IMG13100	S											G06	100	115,0	125,0	124,0	137,0	140,0	14,0	76,0