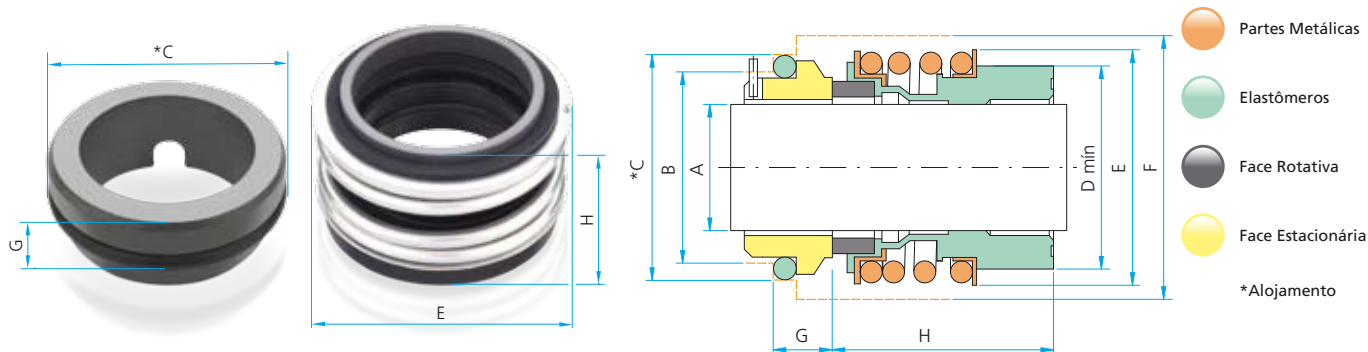


TIPO IMG13

SEDE G09

10 m/s

12 bar



Item	CODIFICAÇÃO DO SELO								Conjunto Estacionário	Ø A (mm) ± 0,05	Ø B (mm) ± 0,1	Ø C (mm) ± 0,05	Ø D (mm)	Ø E (mm)	Ø F (mm)	G (mm)	H (mm)
	Tipo & Eixo	Conjunto Rotativo	Elementos de Vedação			Face Rotativa	Partes Metálicas	Sede Estacionária									
			B Nitrílica	E E.P.D.M.	V Viton®												
1	IMG13008	S						G09	-	-	-	-	-	-	-	-	
2	IMG13010	S						G09	10	17,0	21,0	20,5	22,5	24,0	10,0	33,4	
3	IMG13012	S						G09	12	19,0	23,0	22,5	25,0	26,0	10,0	33,4	
4	IMG13014	S						G09	14	21,0	25,0	26,5	28,5	30,0	10,0	33,4	
5	IMG13015	S						G09	-	-	-	-	-	-	-	-	
6	IMG13016	S						G09	16	23,0	27,0	26,5	28,5	30,0	10,0	33,4	
7	IMG13018	S						G09	18	27,0	33,0	29,0	32,0	33,0	11,5	37,5	
8	IMG13019	S						G09	-	-	-	-	-	-	-	-	
9	IMG13020	S						G09	20	29,0	35,0	33,0	37,0	38,0	11,5	37,5	
10	IMG13022	S						G09	22	31,0	37,0	33,0	37,0	38,0	11,5	37,5	
11	IMG13024	S						G09	24	33,0	39,0	38,0	42,5	44,0	11,5	42,5	
12	IMG13025	S						G09	25	34,0	40,0	38,0	42,5	44,0	11,5	42,5	
13	IMG13028	S						G09	28	37,0	43,0	44,0	49,0	50,0	11,5	42,5	
14	IMG13030	S						G09	30	39,0	45,0	44,0	49,0	50,0	11,5	42,5	
15	IMG13032	S						G09	32	42,0	48,0	46,0	53,5	55,0	11,5	47,5	
16	IMG13033	S						G09	-	-	-	-	-	-	-	-	
17	IMG13035	S						G09	35	44,0	50,0	50,0	57,0	59,0	11,5	47,5	
18	IMG13038	S						G09	38	49,0	56,0	53,0	59,0	61,0	14,0	46,0	
19	IMG13040	S						G09	40	51,0	58,0	55,0	62,0	64,0	14,0	46,0	
20	IMG13042	S						G09	-	-	-	-	-	-	-	-	

TIPO IMG13

SEDE G09

Item	CODIFICAÇÃO DO SELO							Ø A (mm) ± 0,05	Ø B (mm) ± 0,1	Ø C (mm) ± 0,05	Ø D (mm)	Ø E (mm)	Ø F (mm)	G (mm)	H (mm)		
	Tipo & Eixo	Conjunto Rotativo	Elementos de Vedação			Face Rotativa	Partes Metálicas									Sede Estacionária	Conjunto Estacionário
			B Nitrílica	E E.P.D.M.	V Viton®												
21	IMG13043	S						G09	43	54,0	61,0	58,0	65,5	67,0	14,0	51,0	
22	IMG13045	S						G09	45	56,0	63,0	60,0	68,0	70,0	14,0	51,0	
23	IMG13048	S						G09	48	59,0	66,0	63,0	70,5	74,0	14,0	51,0	
24	IMG13050	S						G09	50	62,0	70,0	65,0	74,0	77,0	15,0	50,5	
25	IMG13053	S						G09	53	65,0	73,0	70,0	78,5	81,0	15,0	59,0	
26	IMG13055	S						G09	55	67,0	75,0	72,0	81,0	83,0	15,0	59,0	
27	IMG13058	S						G09	58	70,0	78,0	75,0	85,5	88,0	15,0	59,0	
28	IMG13060	S						G09	60	72,0	80,0	79,0	88,5	91,0	15,0	59,0	
29	IMG13065	S						G09	65	77,0	85,0	84,0	93,5	96,0	15,0	69,0	
30	IMG13068	S						G09	68	81,0	90,0	88,0	96,5	100,0	18,0	68,7	
31	IMG13070	S						G09	70	83,0	92,0	90,0	99,5	103,0	18,0	68,7	
32	IMG13075	S						G09	75	88,0	97,0	95,0	107,0	110,0	18,0	68,7	
33	IMG13080	S						G09	80	95,0	105,0	100,0	112,0	116,0	18,2	78,0	
34	IMG13085	S						G09	85	100,0	110,0	107,0	120,0	124,0	18,2	76,0	
35	IMG13090	S						G09	90	105,0	115,0	114,0	127,0	131,0	18,2	76,0	
36	IMG13095	S						G09	95	110,0	120,0	119,0	132,0	136,0	19,2	76,0	
37	IMG13100	S						G09	100	115,0	125,0	124,0	137,0	140,0	19,2	76,0	