

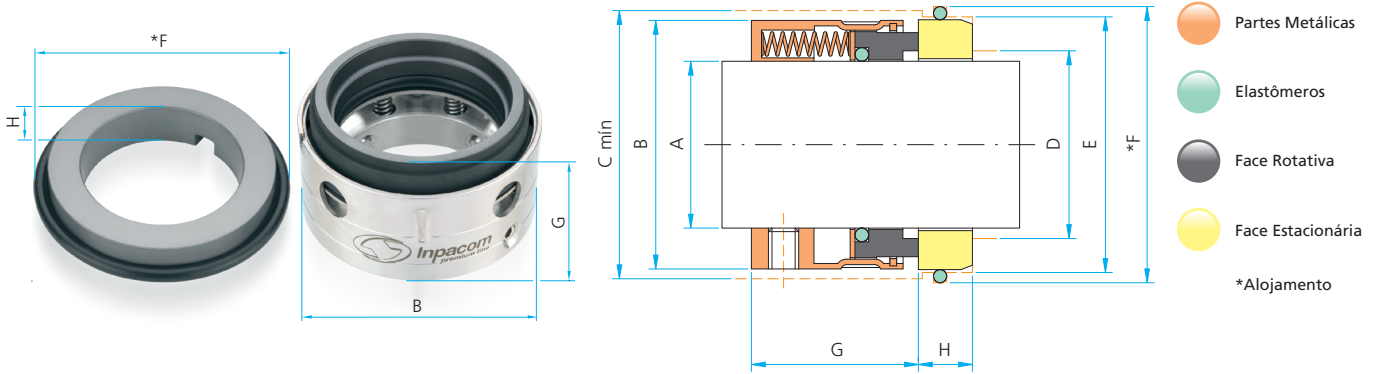
TIPO IT08

ASIENTO SQU

25 m/s



14 bars



Ítem	CODIFICACIÓN DEL SELLO										Conjunto Estacionario	Ø A (pol)	Ø A (mm) ± 0,05	Ø B (mm)	Ø C (mm)	Ø D (mm)	Ø E (mm) + 0,1	Ø F (mm) ± 0,05	G (mm)	H (mm)			
	Tipo & Eje	Conjunto Rotativo	Elementos Empaque				Cara Rotativa			Partes Metálicas											Asiento Estacionario		
			B Nitrilica	E E.P.D.M.	V Viton®	F P.T.F.E. (Teflon®)	S Carburo de Silicio	T Carburo de Tungsténio	U Carbón	4 Acero Inoxidable 304											6 Acero Inoxidable 316	M Alloy 400 (Monel®)	R Cerámica (Al ₂ O ₃)
1	IT080500	S										SQU	1/2"	12,70	26,7	30,0	14,5	25,60	-	21,0	7,90		
2	IT080625	S										SQU	5/8"	15,87	30,7	34,0	17,5	31,95	-	19,0	10,30		
3	IT080750	S										SQU	3/4"	19,05	34,0	37,0	21,0	35,12	-	22,2	10,30		
4	IT080875	S										SQU	7/8"	22,22	37,2	40,0	24,0	38,30	-	24,0	10,30		
5	IT081000	S										SQU	1"	25,40	40,3	43,0	27,5	41,48	46,91	25,0	11,15		
6	IT081125	S										SQU	1 1/8"	28,57	43,5	46,0	30,5	44,65	-	27,0	11,15		
7	IT081250	S										SQU	1 1/4"	31,75	48,3	51,0	33,5	47,83	53,26	27,0	11,15		
8	IT081375	S										SQU	1 3/8"	34,92	51,5	54,0	37,0	51,00	56,43	29,0	11,15		
9	IT081500	S										SQU	1 1/2"	38,10	54,6	58,0	40,0	54,18	59,61	29,0	11,15		
10	IT081625	S										SQU	1 5/8"	41,27	61,0	64,0	43,5	60,53	65,96	35,0	12,75		
11	IT081750	S										SQU	1 3/4"	44,45	64,2	67,0	46,5	63,70	69,13	35,0	12,75		
12	IT081875	S										SQU	1 7/8"	47,62	67,3	70,0	49,5	66,88	72,31	35,0	12,75		
13	IT082000	S										SQU	2"	50,80	70,5	73,0	53,0	70,05	75,48	35,0	12,75		
14	IT082125	S										SQU	2 1/8"	53,97	76,9	80,0	56,0	76,40	-	43,0	14,33		
15	IT082250	S										SQU	2 1/4"	57,15	80,0	83,0	59,0	79,58	85,01	43,0	14,33		
16	IT082375	S										SQU	2 3/8"	60,32	83,2	86,0	62,5	82,75	88,18	43,0	14,33		
17	IT082500	S										SQU	2 1/2"	63,50	86,4	89,0	65,5	85,93	91,36	43,0	14,33		
18	IT082625	S										SQU	2 5/8"	66,67	89,6	92,0	68,5	85,93	-	43,0	15,93		
19	IT082750	S										SQU	2 3/4"	69,85	92,7	96,0	72,0	89,10	-	43,0	15,93		
20	IT082875	S										SQU	2 7/8"	73,02	95,9	99,0	75,0	95,45	-	43,0	15,93		

TIPO IT08

ASIENTO SQU

Ítem	CODIFICACIÓN DEL SELLO											Ø A (pol)	Ø A (mm) ± 0,05	Ø B (mm)	Ø C (mm)	Ø D (mm)	Ø E (mm) + 0,1	Ø F (mm) ± 0,05	G (mm)	H (mm)			
	Tipo & Eje	Conjunto Rotativo	Elementos Empaque				Cara Rotativa	Partes Metálicas		Asiento Estacionario											Conjunto Estacionario		
			B	E	V	F		4	6	M	R											S	T
			Nitrilica	E.P.D.M.	Viton®	P.T.F.E. (Teflon®)		Carburo de Silicio	Carburo de Tungsténio	Carbón	Acero Inoxidable 304											Acero Inoxidable 316	Alloy 400 (Monel®)
21	IT083000	S									SQU	3"	76,20	97,5	100,0	78,5	98,63	-	43,0	15,93			
22	IT083125	S									SQU	3 1/8"	79,37	100,7	104,0	81,5	101,80	-	43,0	19,84			
23	IT083250	S									SQU	3 1/4"	82,55	105,4	108,0	84,5	104,98	-	43,0	19,84			
24	IT083375	S									SQU	3 3/8"	85,73	108,6	111,0	88,0	108,15	-	43,0	19,84			
25	IT083500	S									SQU	3 1/2"	88,90	111,8	115,0	91,0	111,13	-	43,0	19,84			
26	IT083625	S									SQU	3 5/8"	92,08	115,0	118,0	94,0	114,35	-	43,0	19,84			
27	IT083750	S									SQU	3 3/4"	95,25	118,1	121,0	97,5	117,68	-	43,0	19,84			
28	IT083875	S									SQU	3 7/8"	98,43	121,3	124,0	100,5	120,85	-	43,0	19,84			
29	IT084000	S									SQU	4"	101,60	124,5	127,0	103,5	124,03	-	43,0	19,84			
30	IT084125	S									SQU	4 1/8"	104,78	130,2	134,0	107,0	130,38	-	42,9	19,84			
31	IT084250	S									SQU	4 1/4"	107,95	133,4	137,0	110,0	133,55	-	42,9	19,84			
32	IT084375	S									SQU	4 3/8"	111,13	136,5	140,0	113,5	136,72	-	42,9	19,84			
33	IT084500	S									SQU	4 1/2"	114,30	139,7	143,0	116,5	139,90	-	42,9	19,84			
34	IT084625	S									SQU	4 5/8"	117,48	142,9	146,0	119,5	143,08	-	42,9	19,84			
35	IT084750	S									SQU	4 3/4"	120,65	146,1	149,0	122,5	146,25	-	42,9	19,84			
36	IT084875	S									SQU	4 7/8"	123,83	149,2	153,0	126,0	149,43	-	42,9	19,84			
37	IT085000	S									SQU	5"	127,00	152,4	156,0	129,0	152,60	-	42,9	19,84			
38	IT085125	S									SQU	5 1/8"	130,18	155,6	159,0	132,0	155,77	-	42,9	19,84			
39	IT085250	S									SQU	5 1/4"	133,35	165,1	168,0	135,5	158,95	-	50,8	19,84			
40	IT085375	S									SQU	5 3/8"	136,53	161,9	165,0	138,5	162,12	-	50,8	19,84			
41	IT085500	S									SQU	5 1/2"	139,70	171,5	175,0	141,5	165,30	-	50,8	19,84			
42	IT085625	S									SQU	5 5/8"	142,88	174,6	178,0	145,0	168,47	-	50,8	19,84			
43	IT085750	S									SQU	5 3/4"	146,05	177,8	181,0	149,0	177,23	-	50,8	25,40			
44	IT085875	S									SQU	5 7/8"	149,23	181,0	184,0	152,5	180,41	-	50,8	25,40			
45	IT086000	S									SQU	6"	152,40	184,0	188,0	155,5	183,59	-	50,8	25,40			