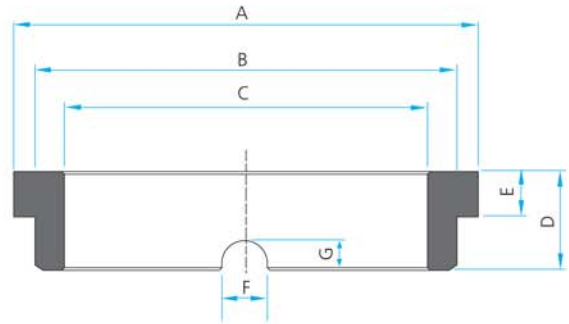
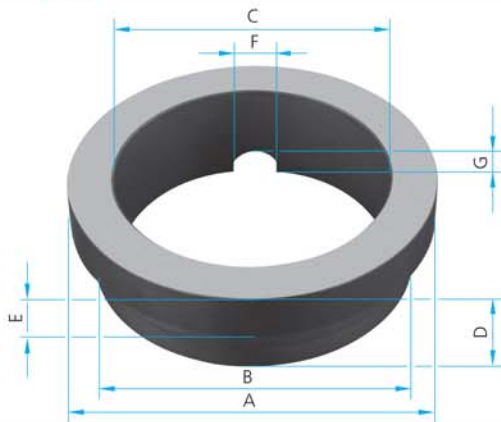


SEAT FLM



Item	Code	Ø Shaft (mm)	Ø A (mm) ± 0,2	Ø B (mm) ± 0,05	Ø C (mm) ± 0,2	D (mm) ± 0,2	E (mm) ± 0,1	F (mm) ± 0,2	G (mm) ± 0,2
1	00140SFLM	14	-	-	-	-	-	-	-
2	00160SFLM	16	-	-	-	-	-	-	-
3	00180SFLM	18	-	-	-	-	-	-	-
4	00200SFLM	20	34,6	28,80	21,0	20,0	10,1	8,0	5,1
5	00220SFLM	22	36,6	30,74	23,0	20,0	9,7	8,0	5,1
6	00240SFLM	24	-	-	-	-	-	-	-
7	00250SFLM	25	39,6	33,76	26,0	19,5	9,2	8,0	5,1
8	00280SFLM	28	42,6	36,74	29,0	19,1	8,9	8,0	5,1
9	00300SFLM	30	44,6	38,77	31,0	18,5	8,6	8,0	5,1
10	00320SFLM	32	47,6	41,78	33,0	18,5	8,6	8,0	5,1
11	00330SFLM	33	-	-	-	-	-	-	-
12	00350SFLM	35	49,6	43,76	36,0	18,5	8,6	8,0	4,8
13	00380SFLM	38	55,6	48,64	39,0	19,5	8,6	8,0	4,8
14	00400SFLM	40	57,5	50,27	41,0	19,5	9,0	8,0	5,1
15	00430SFLM	43	-	-	-	-	-	-	-
16	00450SFLM	45	-	-	-	-	-	-	-
17	00480SFLM	48	65,5	58,64	49,0	19,5	8,9	8,0	5,1
18	00500SFLM	50	69,5	61,67	51,0	20,0	9,0	8,0	5,1
19	00530SFLM	53	-	-	-	-	-	-	-
20	00550SFLM	55	74,5	66,25	56,0	20,0	9,0	8,0	5,1
21	00580SFLM	58	-	-	-	-	-	-	-
22	00600SFLM	60	79,5	71,26	61,0	20,0	8,9	8,0	5,1
23	00630SFLM	63	-	-	-	-	-	-	-
24	00650SFLM	65	84,6	76,31	66,0	20,0	9,2	8,0	5,1
25	00680SFLM	68	-	-	-	-	-	-	-
26	00700SFLM	70	91,4	82,28	71,0	21,0	8,3	8,0	5,1
27	00750SFLM	75	-	-	-	-	-	-	-
28	00800SFLM	80	104,4	94,30	81,0	21,6	8,3	8,0	5,1
29	00850SFLM	85	-	-	-	-	-	-	-
30	00900SFLM	90	-	-	-	-	-	-	-
31	00950SFLM	95	-	-	-	-	-	-	-
32	01000SFLM	100	124,5	114,24	101,00	21,6	8,6	8,0	4,8